

Ergonomic Electrode Holders

TwecoTong® Line of Manual Welding Products



One-Piece Handle is designed to meet the IEC 60974-11 specification

Dual-shot molding to proudly display the Tweco brand

Ergonomic Handle with 12-degree angle

FEATURES & BENEFITS

- **Ergonomic Handle** fits comfortably in the palm and helps to decrease operator fatigue
- **One-Piece Handle** covers up to the jaw thereby eliminating need for the body insulator resulting in fewer parts to inventory
- **Reversible Top & Bottom Insulators** are made of superior thermo-set material for strength & durability at high-temperatures
- **Fully Insulated & Protected Springs**
- **Efficient 6-Position Jaw Pattern** originally designed & pioneered by Tweco to secure the electrode in place



TWECOTONG ELECTRODE HOLDER SPECIFICATIONS

MODEL	OUTPUT				APPLICATION			PART NO.	STOCK NO.
	Current (Amps)	Electrode Size in (mm)	Cable Connection	Length in (mm)	Light Duty Fabrication	Medium Duty Fabrication	Heavy Duty Fabrication		
T-532	200	5/32" (4.0 mm)	2/0 (67.4 mm)	9-1/2" (241 mm)	●			T532-MC*	9110-1122
								T532**	9110-1131
T-316	250	3/16" (4.8 mm)	2/0 (67.4 mm)	9-1/2" (241 mm)	●	●		T316-MC*	9110-1123
								T316**	9110-1132
T-732	300	7/32" (5.6 mm)	2/0 (67.4 mm)	10" (254 mm)		●	●	T732-MC*	9110-1124
								T732**	9110-1133

* Sold in Master Pack Boxed Quantities of 24.

** Sold in Single Packs only. Quantities of one.



U.S. Customer Care: 800-426-1888
 Canada Customer Care: 905-827-4515
 International Customer Care: 940-381-1212

TWECOTONG® ELECTRODE HOLDERS



T-532

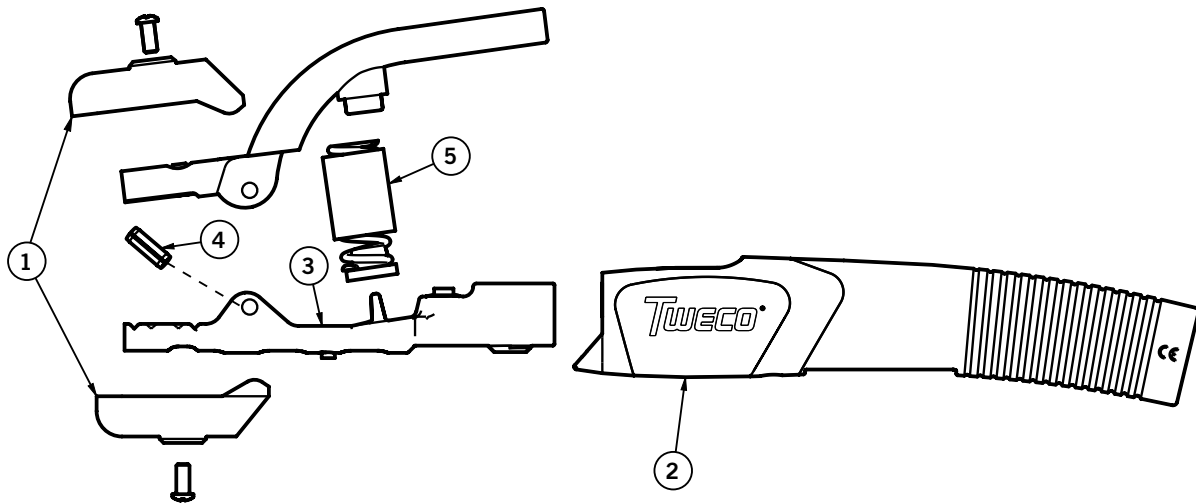
T-316

T-732

TwecoTong 200 Amp Electrode Holder
Part #: T532-MC/Stock #: 9110-1122 (Multi Packs)
Part #: T532/Stock #: 9110-1131 (Singles)
Electrode Capacity: 5/32" (4.0 mm)
Overall Length: 9 1/2" (241 mm)

TwecoTong 250 Amp Electrode Holder
Part #: T316-MC/Stock #: 9110-1123 (Multi Packs)
Part #: T316/Stock #: 9110-1132 (Singles)
Electrode Capacity: 3/16" (4.8 mm)
Overall Length: 9 1/2" (241 mm)

TwecoTong 300 Amp Electrode Holder
Part #: T732-MC/Stock #: 9110-1124 (Multi Packs)
Part #: T732/Stock #: 9110-1133 (Singles)
Electrode Capacity: 7/32" (5.6 mm)
Overall Length: 10" (254 mm)



TWECOTONG REPLACEMENT PARTS

#	Description	T-532 Part No./Stock No.	T-316 Part No./Stock No.	T-732 Part No./Stock No.
1	Tip Insulation	T-532-1 / 9910-2104	T-532-1 / 9910-2104	T-732-1 / 9910-2303
2	Molded Handle	T-532-7 / 9910-2108	T-316-7 / 9910-2208	T-732-7 / 9910-2308
3	Lower Body Tong w/o Insulation	A-316-4R / 9910-2204	A-316-4R / 9910-2204	A-732-4 / 9910-2304
4	Hinge Pin	A-532-11 / 9910-2111	A-532-11 / 9910-2111	A-532-11 / 9910-2111
5	Spring with Insulation	A-532-6 / 9910-2106	A-316-6 / 9910-2206	A-316-6 / 9910-2206
NS	Handle Screws	AL-300-12 / 9910-2712	AL-300-12 / 9910-2712	AL-300-12 / 9910-2712
NS	Cable Connection Screw	A-532-24 / 9910-2124	A-532-24 / 9910-2124	A-532-24 / 9910-2124